



Ballarat Primary School (Dana St)

401 Dana St, Ballarat. Phone 53321 301  
email: ballarat.ps.dana@education.vic.gov.au



Respect & Care

Responsibility

Inclusion, Tolerance & Understanding

Excellence



Dana Street Primary School is committed to child safety (Ministerial Order No. 870) and takes all reasonable steps to ensure that the safety of our students is paramount.



School Values: *Respect & Care*    *Responsibility*    *Inclusion, Tolerance & Understanding*    *Excellence*



## Ryan's Ramblings

Dear parent, grandparent and friends,

Just when a balmy 23 degree day hit us, it was promptly followed by rain and cold! No doubt, we will all be complaining about the heat soon enough.

Our school community has continued busily this week; especially for our Foundation, Foundation/1 and 3/4 classes, as they made the daily journey to the Federation University pool. Our students should be commended on the way they demonstrated our School Values throughout the entire week. Of course, the support we received from many parent helpers is very much appreciated. Thank you, everyone. Next week, our 1/2 and 5/6 classes will be their week of swimming. Whilst a week worth of lessons isn't going to adequately prepare anyone for Olympic level competition, our students have been instilled with valuable survival skills, which they will hopefully never need to utilise.

We held our first of a series of Parent Information Sessions for our 2024 Foundation Parents on Tuesday night. Three of our School Leaders came along to present information about our wonderful school, and they did a splendid job. We have a confirmed enrolment of 24 Foundation Students for 2024. Over the course of the next few weeks, planning for class structures and the recruitment of staff will be completed. Once this has been completed, I will communicate our 2024 structures to our community. I am sure you can understand, this is a job that takes time, so I thank you for your patience.

This week, our staff met to set and communicate our individual goals for our students. By today, you should have all received a copy of your child's goals for this term. We really appreciate the partnership with our parents and thank you for your support with your child's learning. We do not wish for the very limited time at home to be clogged up by having to complete school work all of the time, so any support that you can provide as a parent, is really appreciated. Please reach out to your child's teacher if you have any questions.

I have been really enjoying watching our students become budding little scientists this week. A number of experiments are being conducted across the school and they have simply loved them. We are actively trying to teach scientific literacy to our students in the form of 'Predict', 'Observe' and 'Explain'. So far, the students have looked at making ice cream, ooblek, an experiment comparing the rate of bacteria growth on bread and much more.



A little more rain predicted for the weekend. Stay dry and look after yourselves

Ryan



# Literacy

Phonological awareness skills begin before children come to school and develop through their primary years. Skills include: listening, rhyming, breaking words up into syllables and manipulating sounds. It is developed and sharpened through the active involvement of our ears and mouth, no letters. Students in Foundation and Grade 1-2 continue to develop their knowledge of phonics.

**Phonological Awareness**

Can be done with your eyes shut

An awareness that words are made up of units of sound

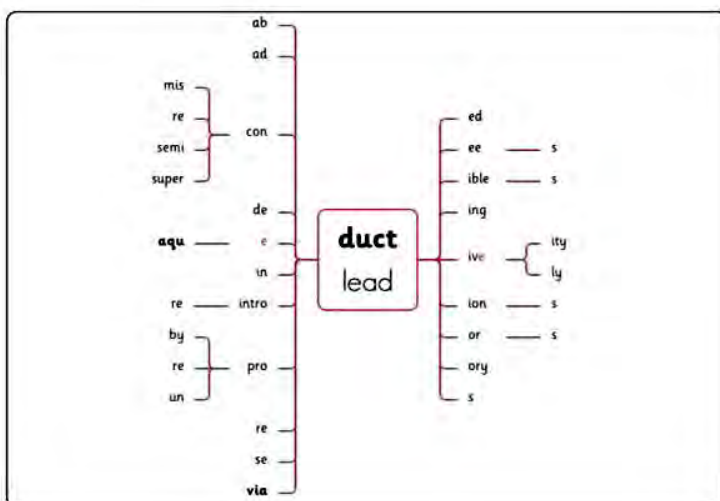
I have an awareness of individual sound units within words

I can manipulate sounds within words

I can rhyme

I can break words apart into syllables

*The Steps Make Big Strides*



Going further on the path of structured literacy, you will see students exploring the world of morphology. This is where students investigate bases words (the part of the word that has meaning) and affixes (prefixes and suffixes). Students are then able to identify how the affixes can alter the meaning of the base word.

Going even further, students begin to explore etymology which is all about the origins of words in the English language. This involves looking into Greek and Latin roots, as well as the history of how words have evolved over time. This is one of the reasons why spelling words can be so confusing because while some words maintain their original spelling, their pronunciation has continued to evolve and no longer matches the spelling (E.g. the silent k in 'knife').

**morphology | bases**

**sounds & syllables**  
the sensible spelling system

**duct** lead  
from the Latin *ducere* (lead)

introduction	<b>in tro duc tion</b>	<b>intro</b> (into) + <b>duct</b> + <b>ion</b> (act of) an <b>introduction</b> is the act of introducing, leading something into use or to the attention of others for the first time
abduct	<b>ab duc t</b>	<b>ab</b> (away) + <b>duct</b> to <b>abduct</b> is to take or lead away by force or deception
deduct	<b>de duc t</b>	<b>de</b> (from) + <b>duct</b> to <b>deduct</b> is to subtract, take or lead away from a total
viaduct	<b>via duc t</b>	<b>via</b> (road) + <b>duct</b> a <b>viaduct</b> is a bridge-like structure that leads a road or railway across a valley or other low ground
aqueduct	<b>aqu duc t</b>	<b>aqu</b> (water) + <b>e</b> + <b>duct</b> an <b>aqueduct</b> is a bridge-like structure that leads water across a valley or other low ground

# Numeracy in the classroom

## Foundation/One

In the Foundation and Foundation/One classrooms we have been exploring place value and learning how to partition numbers. Next week we are learning all about money.

## Grade 1/2

In Grade 1/2 we are currently revising place value. Over the next few weeks we will be completing lots of investigations, and our first two topics are Planes and The Zoo. We will be revising a number of different concepts including measurement, shape, money, fractions, time, addition, multiplication and data.

## Grade 3/4

In Grade 3/4 we are working on exploring the features of 2D shapes and how to classify regular and irregular 2D shapes. Next week we are investigating number patterns and function machines.

## Grade 5/6

In Grade 5/6 we are working on pattern and algebra. We have a focus on seeing expressions, and using images to create algebraic expressions. Following this, we are continuing our learning around BIDMAS.

## Maths in the real world

There are lots of opportunities for you to practise maths concepts at home! These can include shopping, pocket money, baking, gardening, playing games/sports, preparing food, collecting data, telling time and finding patterns. Have a go at these tasks at home over the next few weeks!

### HOW MANY WAYS TO MAKE \$1 AND 30 CENTS?

Using the collection of coins pictured, how many different ways could you make the collection \$1.30?

### SHOPPING

Imagine that you win \$50 from coming first in a drawing competition. Using a toy catalogue (e.g. Target and Big W) how would you spend your \$50? What would you buy and how much would it cost? What change would you have left over?

- **Extending prompt:** What if you won \$100. What could you now buy?



### PIZZA DELIVERY

You have ordered a pizza to be delivered and it costs \$27. Look at the picture, these are the coins and notes you have in your wallet.



What money could you give to the pizza seller? What change would you expect back if you paid with a \$50 note? Give two different options for the combination of coins and notes you would get back from \$50

- **Extending prompt:** What if the pizza cost \$27.30? What combination of notes and coins would you use to pay? How much change would you get if you paid with a \$50 note?

# OFFICE NEWS NEW TO DSPS

## TERM 4 SWIM PROGRAM | \$25 BUS CONTRIBUTION

**Earlier in Term 3 you received a Learn to Swim Program notice.**

The 5-day intensive swim program cost \$65 per student which includes 5 x 45 minute lessons plus 5 days of pool entry. This cost is fully funded by the school with no cost to parents.

However, our funding does not extend to the bus transport for this whole school activity. We are seeking a contribution of \$25 per child to cover bus transfer costs.

\$25 per child will cover 5 x return bus trips (\$5 per return) from school to Fed Uni, Aquatic Centre, Mt Helen. Contributions can be made via your families individual B'Pay details. B'Pay details are on family statement and every pink neon notes that comes home. The school welcomes any part contribution to this activity.

If you would like more information around contributions and extra curricular activity payments, please contact Penny Kaletsch - Business Manager on 5332 1301 or [penny.kaletsch@education.vic.gov.au](mailto:penny.kaletsch@education.vic.gov.au).



## EXCURSION NOTES

The office has recently updated the schools permission and payment documentation. Please keep an eye out for neon pink documents in school and reader bags.

All activities requiring permissions and/or payment will be communicated via these neon pink "Permission Notification Report" forms. The B'Pay Options on your child's form is individual to your family and can be saved for all future transactions.



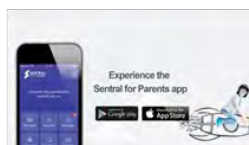
## NEW IN 2024 - SENTRAL

Earlier this year we surveyed the staff and school community seeking feedback around 2 key areas 1) Lunch Orders and 2) School Communication. These survey provided valuable insight.

With the support of School Council we are excited to announce in 2024 Dana Street Primary will introduce SENTRAL, a web based management system that will integrate school administration (absences, permissions, payments), reporting (digital reports) and student management (medical information, sickbay etc).

QuickCliq, a module within SENTRAL, will be introduced as a cashless lunch order system. Grant Street Takeaway will continue to provide lunch orders and are looking forward to expanding their menu options.

We will roll out more information including features of the system, user guides, Q&A sessions throughout Term 4 2023. We aim to "go live", Day 1, Term 1 2024.



**Office Hours 8:15am- 4pm | Ph: 5332 1301 | Email : [Ballarat.ps.dana@education.vic.gov.au](mailto:Ballarat.ps.dana@education.vic.gov.au)  
From the office team Penny & Leanne**

# Swimming Program Group 2

## Grades 1/2 & 5/6

Term 4 Week 3: Monday to Friday

Session 1 1/2D & 1/2K please be at school by 8:45am

Leaving school 9.00 am back at school by 11.00 am

Session 2 1/2B & 5/6J

Leaving school 9.45 am back at school by 12.00 am

Session 3 5/6A & 5/6P

Leaving school 10.30 am back at school by 12.30 pm



\*\*\*Students must come to school wearing their swimming gear under their school uniform. They must have a named plastic bag/swimming bag with their towel and underwear (goggles & swimming cap optional). A spare pair of underwear is also recommended. Long hair must be tied back. We also ask students to wear their normal shoes to school and to bring things to wear from school to swimming.

\*\*Please be at school by 8:45am, so we can be organised and be ready for the bus at 9am for session 1.\*\*

## | SEEKING DONATION |

Clear plastic storage containers with lids.



With the success of our recent school concert, we are seeking donations of

**clear plastic containers with lids**

to store and preserve our wonderful props and costumes. We welcome various sized plastic container to the school office.



# PLAY FOR KICKS

Superkick is next level fun for 8 to 12 year olds who are new to footy, or want to continue to grow their skill levels.

**MARTY BUSCH RESERVE**

**WEDNESDAY - 5 WEEKS**

**STARTS OCTOBER 18TH**

**4.00PM - 5.00PM**

AFL

PLAY

**Superkick**



SCAN TO REGISTER



# JOIN THE FUN!

**NAB AFL AUSKICK IN TERM 4!**

\$40 for 4 weeks! Come and join the fun with friends & receive some awesome goodies!  
Ages 4-7

Register Via the QR Code

QUERIES: CALL DOM 0417 967 621

# SUPER SPRING SPORTS!

**BACK AT DANA ST PS FOR TERM 4!**

**AFTER SCHOOL SPORTS PROGRAMS**  
 TUESDAYS: MULTI-SPORTS 3:35PM-5:05PM  
 (TENNIS, CRICKET, FRISBEE, AFL & BASKETBALL)  
 THURSDAYS: KIDS CHOICE 3:35PM-5:05PM

**STARTS WK 1 3RD OCT**

**LEARN NEW SPORTS & SKILLS IN TERM 4**  
 Have loads of fun with your friends while playing a range of dynamic & active sports throughout term 4  
**OUR SESSIONS RUN AT DANA ST PS**  
**PARENTS PICK-UP AT 5:05PM**

**FOR THE LOVE OF SPORTS 25 YEARS**

**\$23 + GST PER SESSION**

BOOK ONLINE NOW AT  
**KELLYSPORTS.COM.AU**  
[WWW.KELLYSPORTS.COM.AU/GREATER-BALLARAT](http://WWW.KELLYSPORTS.COM.AU/GREATER-BALLARAT)

# DSPS Term 4 Planner

Current as of  
13.10.2023

	MONDAY	TUESDAY	WEDNESDAY	THURSDAY	FRIDAY
Week 1	2nd October Curriculum Day	3rd October	4th October	5th October	6th October Assembly Buddies and Mates
Week 2	9th October Swimming week F, F/1, 3/4s	10th October Swimming week F, F/1, 3/4s	11th October Swimming week F, F/1, 3/4s	12th October Swimming week F, F/1, 3/4s	13th October Swimming week F, F/1, 3/4s No assembly Foundation/F/1 FireFighter Incursion
Week 3	16th October Swimming week 1/2s, 5/6 School Council 7pm	17th October Swimming week 1/2s, 5/6 Grade ¾ Incursion	18th October Swimming week 1/2s, 5/6	19th October Swimming week 1/2s, 5/6	20th October Swimming week 1/2s, 5/6 No assembly Foundation/F/1 FireFighter Incursion
Week 4	23rd October	24th October Grade ¾ Incursion	25th October	26th October Ballarat High School Transition visit	27th October Assembly Fun Run TEACHERS DAY
Week 5	30th October	31st October Grade ¾ Incursion	1st November Ballarat High School Transition visit	2nd November	3rd November Assembly Buddies and Mates
Week 6	6th November	7th November Melbourne Cup Day Holiday	8th November	9th November	10th November Assembly Remembrance Day 1 min silence 11am
Week 7	13th November Report Writing Day/ Pupil Free Day	14th November	15th November	16th November	17th November Assembly Buddies and Mates
Week 8	20th November 9:30am - 10:30am Transition Session Foundation 2024 Tabloid/Buddy School Council	21st November	22nd November	23rd November	24th November Assembly
Week 9	27th November	28th November	29th November	30th November	1st December Assembly Buddies and Mates
Week 10	4th December	5th December	6th December	7th December	8th December Assembly
Week 11	1th December	12th December Transition Day whole school Foundation transition Secondary School Orientation Day Yr 6	13th December	14th December Grade 6 Celebration Excursion TBC	15th December Assembly Buddies and Mates Reports/Portfolios sent home.
Week 12	18th December Grade 6 Graduation Dinner	19th December	20th December Assembly 12.45pm Students P-6 finish 1.30pm		